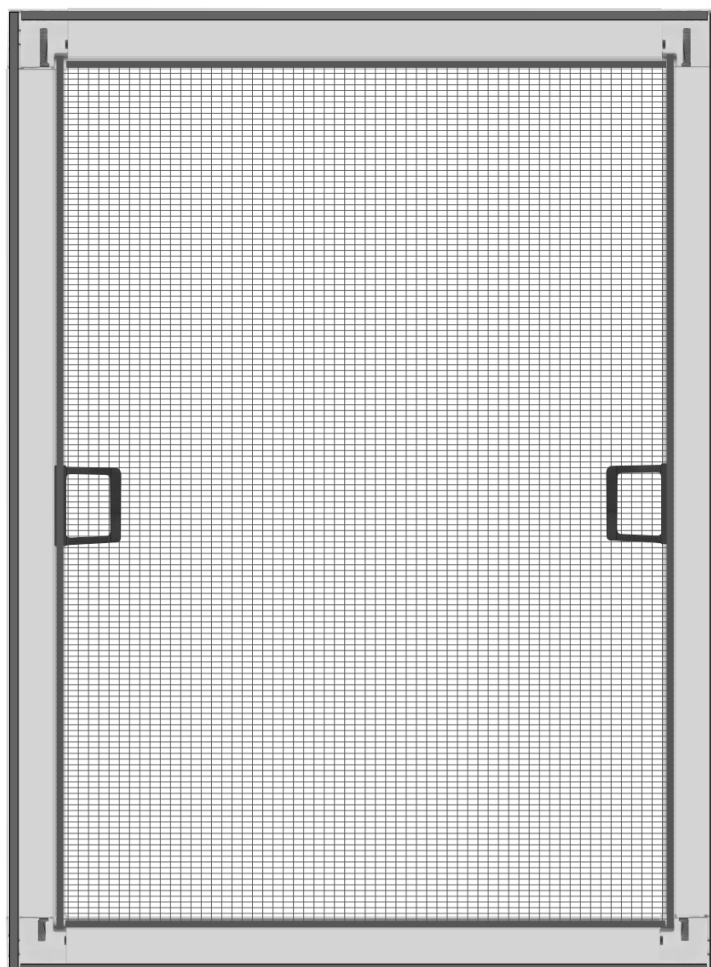
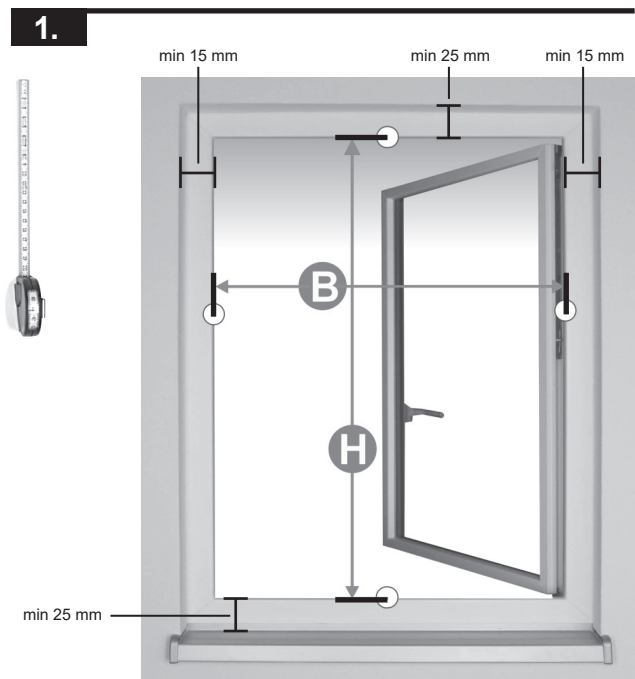
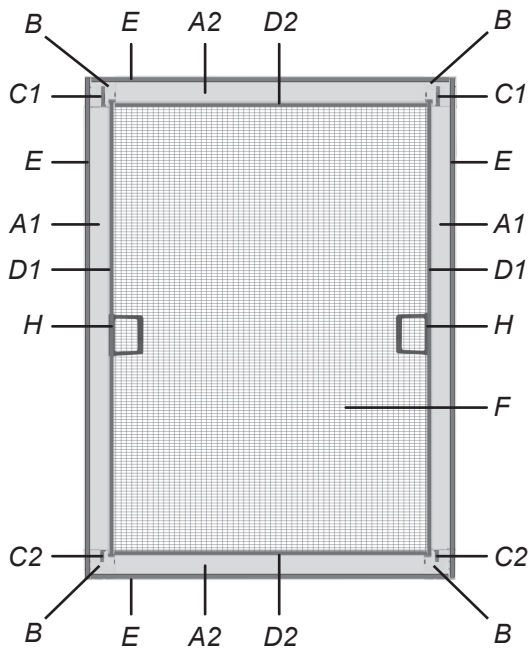
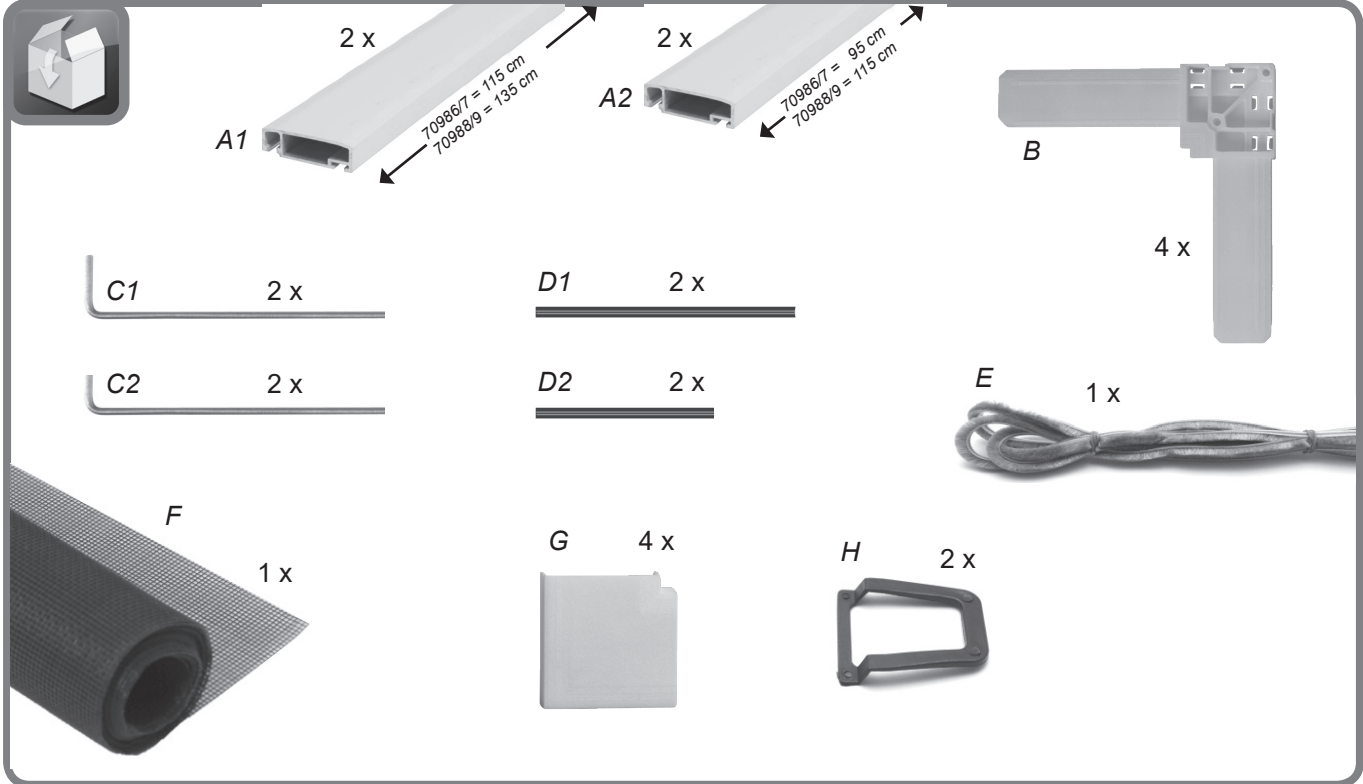


INSECTSYSTEM BASIC

70986, 70987, 70988, 70989





2.

B

70986 / 70987

= 98 cm → B - 0 mm → A2

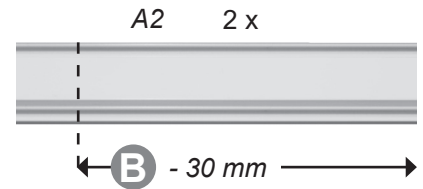
≤ 97 cm → B - 30 mm → A2



70988 / 70989

= 118 cm → B - 0 mm → A2

≤ 117 cm → B - 30 mm → A2



H

70986 / 70987

= 116 cm → H - 0 mm → A1

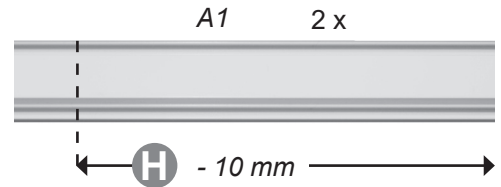
≤ 115 cm → H - 10 mm → A1



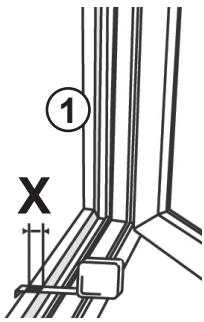
70988 / 70989

= 136 cm → H - 0 mm → A1

≤ 135 cm → H - 10 mm → A1



3.



2 x C1

2 x C2

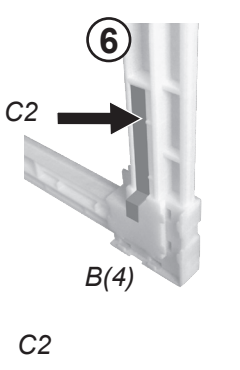
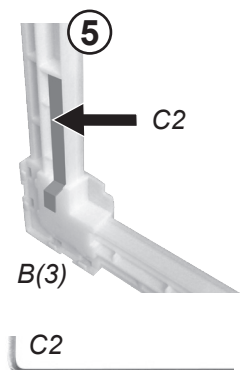
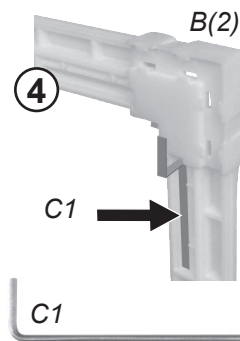
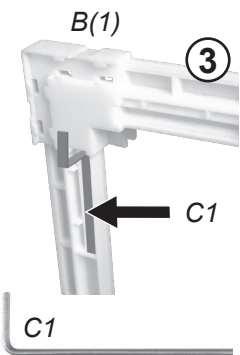
X + 2mm

②

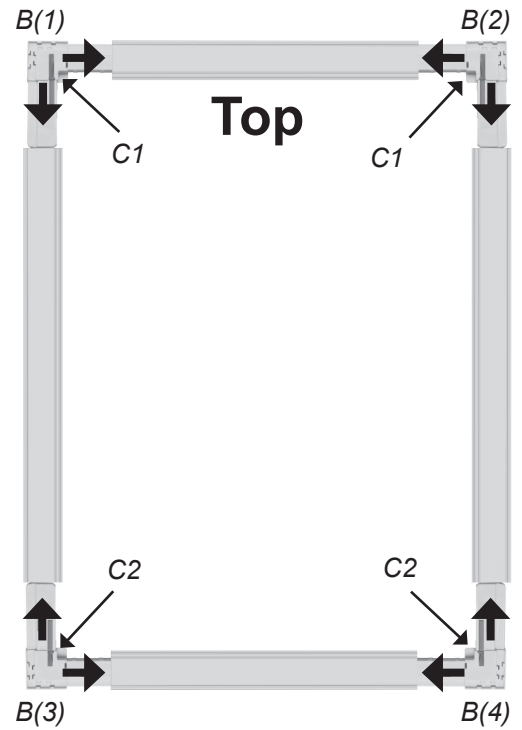
90°



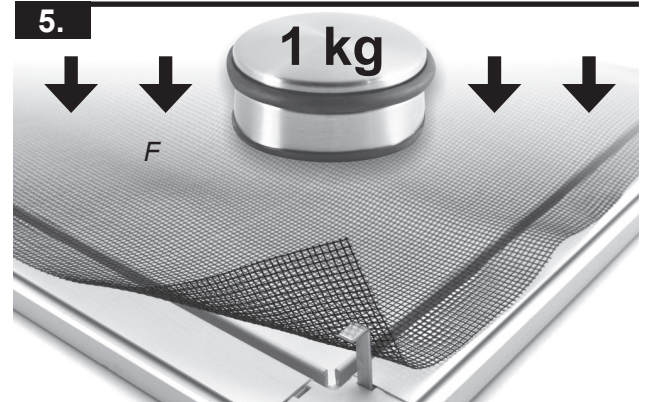
4.

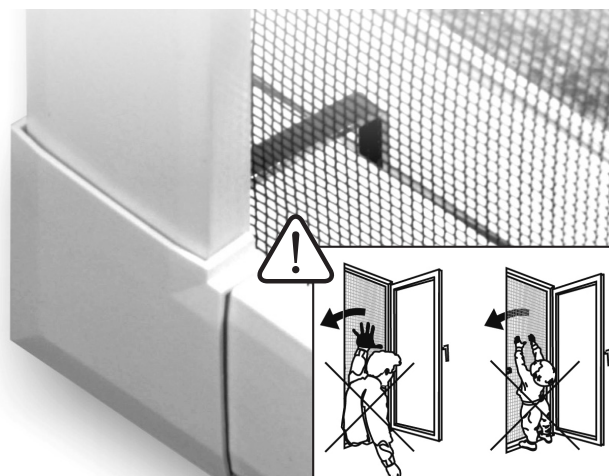
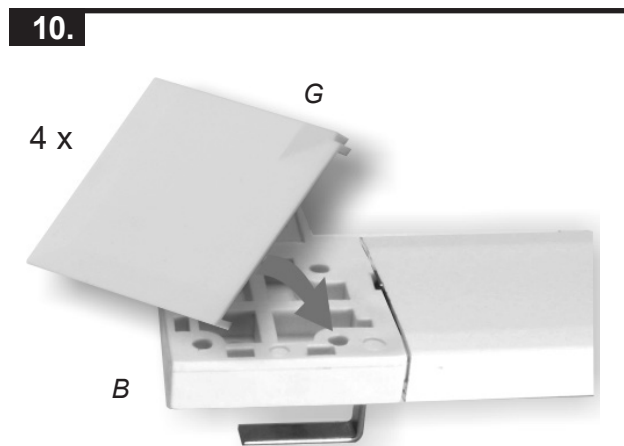
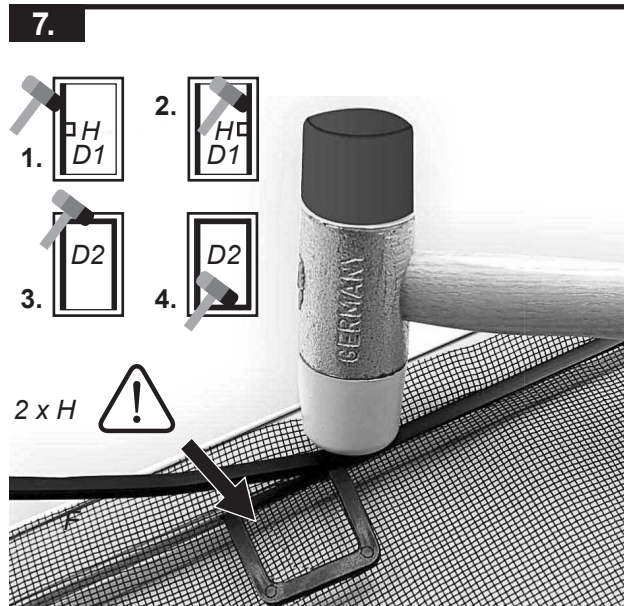
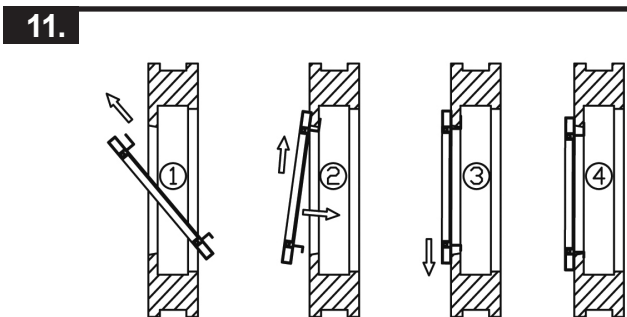
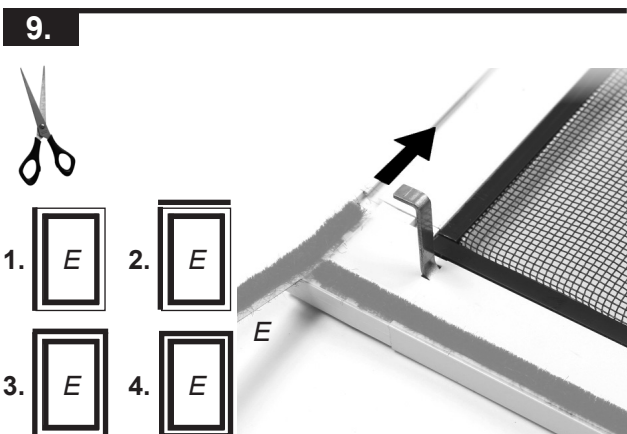
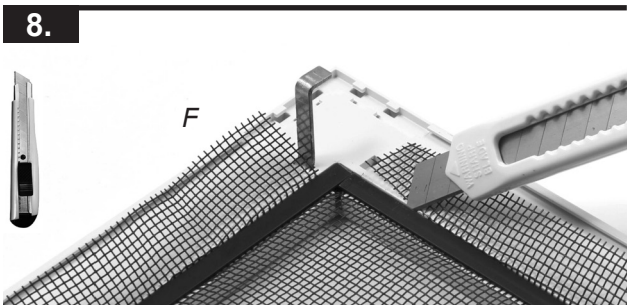
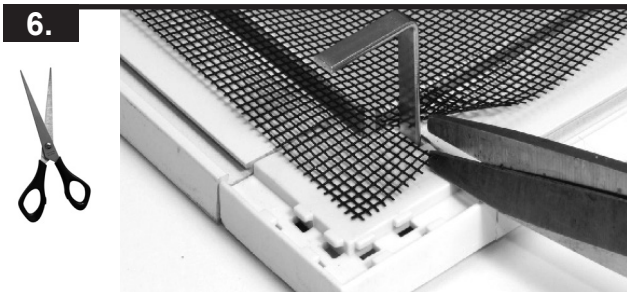


4.



5.





Mo-Fr: 7.30 Uhr–21.00 Uhr
 Sa: 8.00 Uhr–14.00 Uhr
 Tel: +49 (0)271 89056-444
 Fax: +49 (0)271 89056-398

Alfred Schellenberg GmbH

An den Weiden 31
 D-57078 Siegen
 service.int@schellenberg.de
 www.schellenberg.de